

Hydraulic Grips

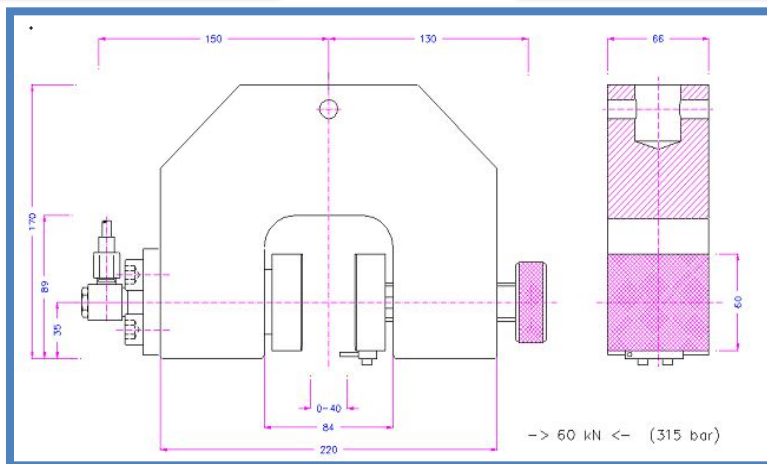
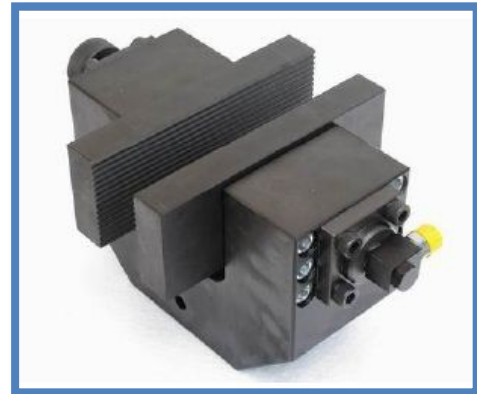
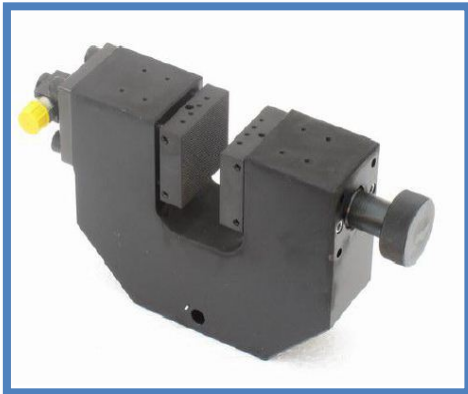
A Hydraulic grip with single actuator, single actuator grips have one side adjusted by manual tightening action screw and the grips are suitable for offset sample alignment for shear testing
Ideal for all types of samples, rubber, plastic dumbbells, metal, fabrics and composites (depends on rating)
All Hydraulic grips are suitable for use with the Hydraulic Pumps (01/4781-82-83) Hydraulic connection 1/4 inches

Steel, Manganese Phosphate Coated
Hydraulic Connection 1/4"
Temperature range 0 – to +70° C
(Other temperatures on request)

Part Number	Description	Quantity	Opening	Weight	Max Rating	Fixing
01/4721	Hydraulic Grip supplied with no faces, Single actuator, 15mm stroke	Pair	Face Dependant	15Kg	60kN 315 bar	1 1/4 Inch

Face options

Part Number	Description	Quantity	Rating
01/4723	60mm x 66mm, Plain faces, 0mm to 30mm opening	Set of 4	60kN
01/4724	60mm x 66mm, Cross-Cut faces, 0mm to 30mm opening	Set of 4	60kN
01/4725	60mm x 66mm, V-Notch faces, 8mm to 30mm round Samples	Set of 4	60kN
01/4726	60mm x 66mm, Wave faces, 0mm to 20mm opening	Set of 4	60kN
01/4727	60mm x 66mm, Diamond Coated faces, 0mm to 30mm opening	Set of 4	60kN
01/4728	60mm x 66mm, Diamond Coated V-Notch faces, 8mm to 30mm round Samples	Set of 4	60kN
01/4729	70mm x 210mm, Plain faces, 0mm to 20mm opening	Set of 4	60kN
01/4730	70mm x 210mm, Rubber faces, 0mm to 16mm opening	Set of 4	60kN
01/4731	70mm x 210mm, Rubber Wave faces, 0mm to 20mm opening	Set of 4	60kN



Hydraulic Grips

A Hydraulic grips with dual actuator; ideal for all types of samples, rubber, plastic dumbbells, metal, fabrics and composites (depends on rating)

All Hydraulic grips are suitable for use with the Hydraulic Pumps (01/4781-82-83) Hydraulic connection ¼ inches

Steel, Manganese Phosphate Coated

Hydraulic Connection 1/4"

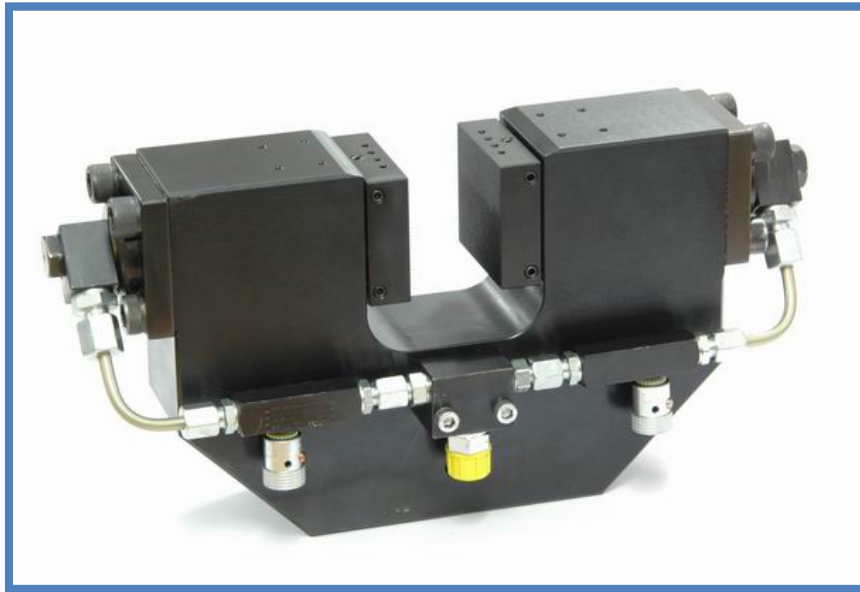
Temperature range 0 – to +70° C

(Other temperatures on request)

Part Number	Description	Quantity	Opening	Weight	Max Rating	Fixing
01/4721	Hydraulic Grip supplied with no faces, Dual actuator, 15mm stroke	Pair	Face Dependant	15Kg	60kN 315 bar	1 ¼ Inch

Face options

Part Number	Description	Quantity	Rating
01/4723	60mm x 66mm, Plain faces, 0mm to 30mm opening	Set of 4	60kN
01/4724	60mm x 66mm, Cross-Cut faces, 0mm to 30mm opening	Set of 4	60kN
01/4725	60mm x 66mm, V-Notch faces, 8mm to 30mm round Samples	Set of 4	60kN
01/4726	60mm x 66mm, Wave faces, 0mm to 20mm opening	Set of 4	60kN
01/4727	60mm x 66mm, Diamond Coated faces, 0mm to 30mm opening	Set of 4	60kN
01/4728	60mm x 66mm, Diamond Coated V-Notch faces, 8mm to 30mm round Samples	Set of 4	60kN
01/4729	70mm x 210mm, Plain faces, 0mm to 20mm opening	Set of 4	60kN
01/4730	70mm x 210mm, Rubber faces, 0mm to 16mm opening	Set of 4	60kN
01/4731	70mm x 210mm, Rubber Wave faces, 0mm to 20mm opening	Set of 4	60kN



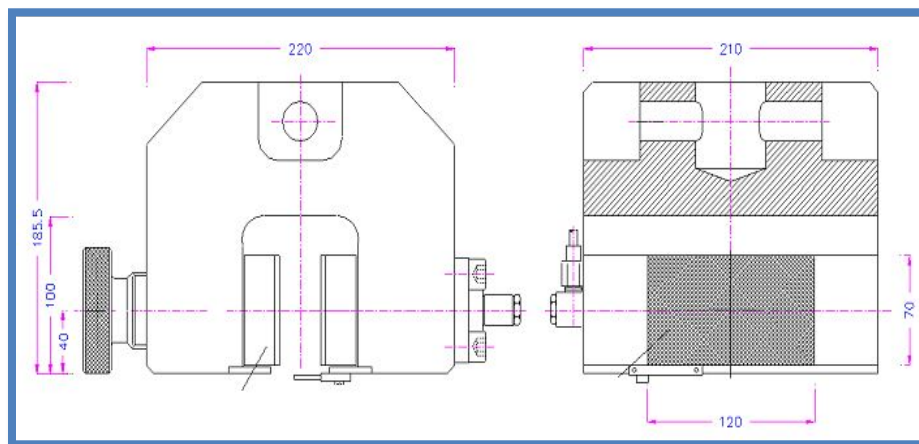
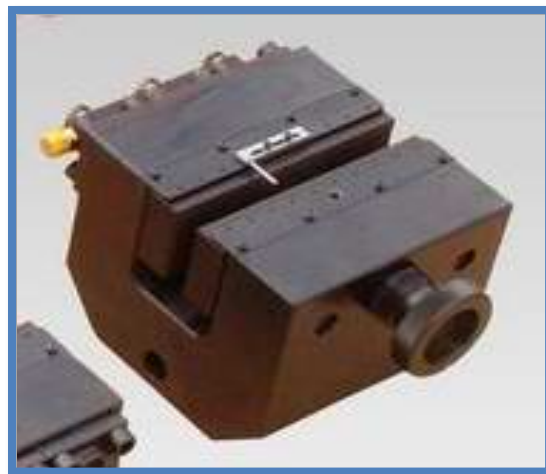
Hydraulic Grips

A Hydraulic grips with single actuator, single actuator grips have one side adjusted by manual tightening action screw, and the grips are suitable for offset sample alignment for shear testing
Ideal for all types of samples, rubber, plastic dumbbells, metal, fabrics and composites (depends on rating)
All Hydraulic grips are suitable for use with the Hydraulic Pumps (01/4781-82-83) Hydraulic connection 1/4 inches

Steel, Manganese Phosphate Coated
Hydraulic Connection 1/4"
Temperature range 0 – to +70° C
(Other temperatures on request)

Part Number	Description	Quantity	Opening	Weight	Max Rating	Fixing
01/4732	Hydraulic Grip supplied with no faces, Single actuator, 15mm stroke	Pair	Face Dependant	55Kg	180kN 315 bar	1 1/4 Inch

Part Number	Description	Quantity	Rating
01/4734	60mm x 66mm, Plain faces, 0mm to 30mm opening	Set of 4	180kN
01/4735	70mm x 120mm, Cross-Cut faces, 0mm to 30mm	Set of 4	180kN
01/4736	60mm x 66mm, V-Notch faces, 8mm to 30mm round Samples	Set of 4	180kN
01/4737	70mm x 210mm, Wave faces, 0mm to 20mm opening	Set of 4	180kN
01/4787	70mm x 210mm , Diamond coated jaw set	Set of 4	180kN



Hydraulic Grips

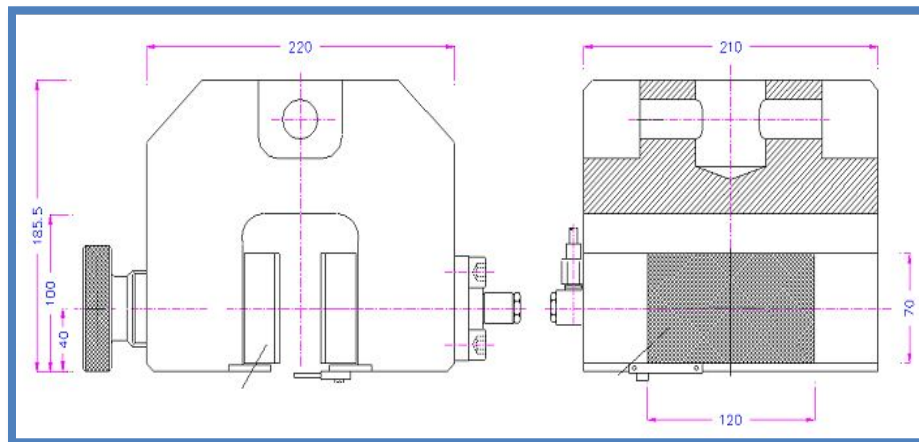
A Hydraulic grips with dual actuator; ideal for all types of samples, rubber, plastic dumbbells, metal, fabrics and composites (depends on rating)

All Hydraulic grips are suitable for use with the Hydraulic Pumps (01/4781-82-83) Hydraulic connection ¼ inches

Steel, Manganese Phosphate Coated
Hydraulic Connection 1/4"
Temperature range 0 – to +70° C
(Other temperatures on request)

Part Number	Description	Quantity	Opening	Weight	Max Rating	Fixing
01/4733	Hydraulic Grip supplied with no faces, Dual actuator, 15mm stroke	Pair	Face Dependant	37Kg	180kN 315 bar	1 ¼ Inch

Part Number	Description	Quantity	Rating
01/4734	70mm x 210mm, Plain faces, 0mm to 30mm opening	Set of 4	180kN
01/4735	70mm x 120mm, Cross-Cut faces, 0mm to 30mm	Set of 4	180kN
01/4736	70mm x 210mm, V-Notch faces, 8mm to 30mm round Samples	Set of 4	180kN
01/4737	70mm x 210mm, Wave faces, 0mm to 20mm opening	Set of 4	180kN
01/4787	70mm x 210mm , Diamond coated jaw set	Set of 4	180kN



Hydraulic Pumps

Three options for Hydraulic power packs, all suitable for hydraulic grips

Part Number	Description
01/4781	Air pneumatic pump power pack with 2 magnetic valves and two switches 2.75 Liter/min 350 bar 1:61 (1 bar air pressure makes 61 bar oil, pressure) Minimum air pressure 1 bar 350x250x400mm 220Volt 0.1 A
01/4782	Air pneumatic pump power pack with 2 magnetic valves and two switches for open and close + box for noise reduction + analog input signal for pressure adaptation (1V =40bar, 5V=200bar, 10V=400bar) 220Volt 0.1 A
01/4783	air pneumatic pump power pack with 4 magnetic valves and two switches for close - stop - open + box for noise reduction + analog input signal for pressure adaptation (1V =40bar, 5V=200bar, 10V=400bar) 220Volt 0.1 A

01/4781 shown to the right



01/4782 box mounted for noise reduction enclosure



01/4783 shown without enclosure

